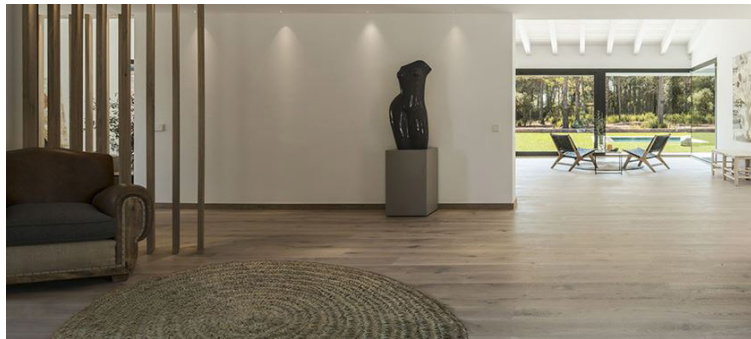
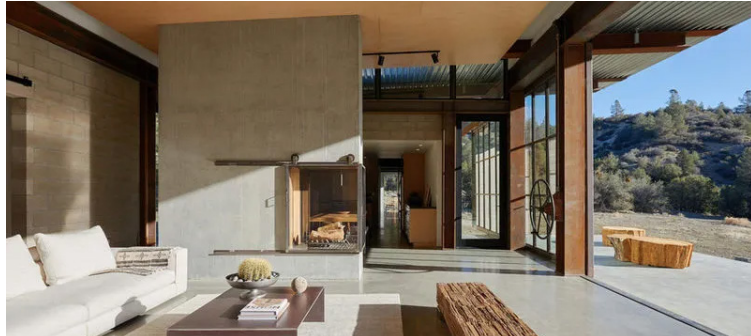
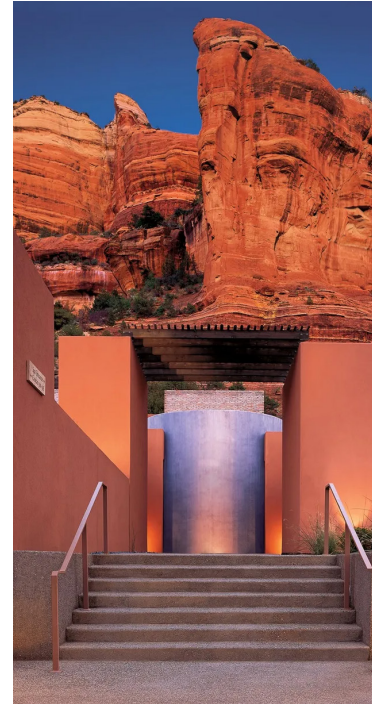


Jared Teiger
Studio 2024
Prof. Stephen Chininis
03/06/2023



MOOD

Spanish architecture

Arid climate

Natural sunlight

Mute tones

Color scheme brown/tan, red, and grays

Materials reflect the environment



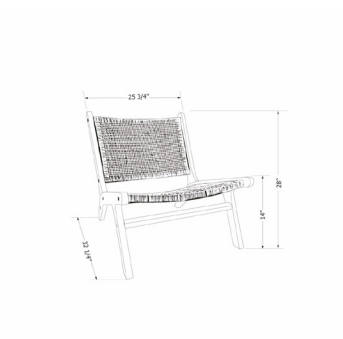
INSPIRATION

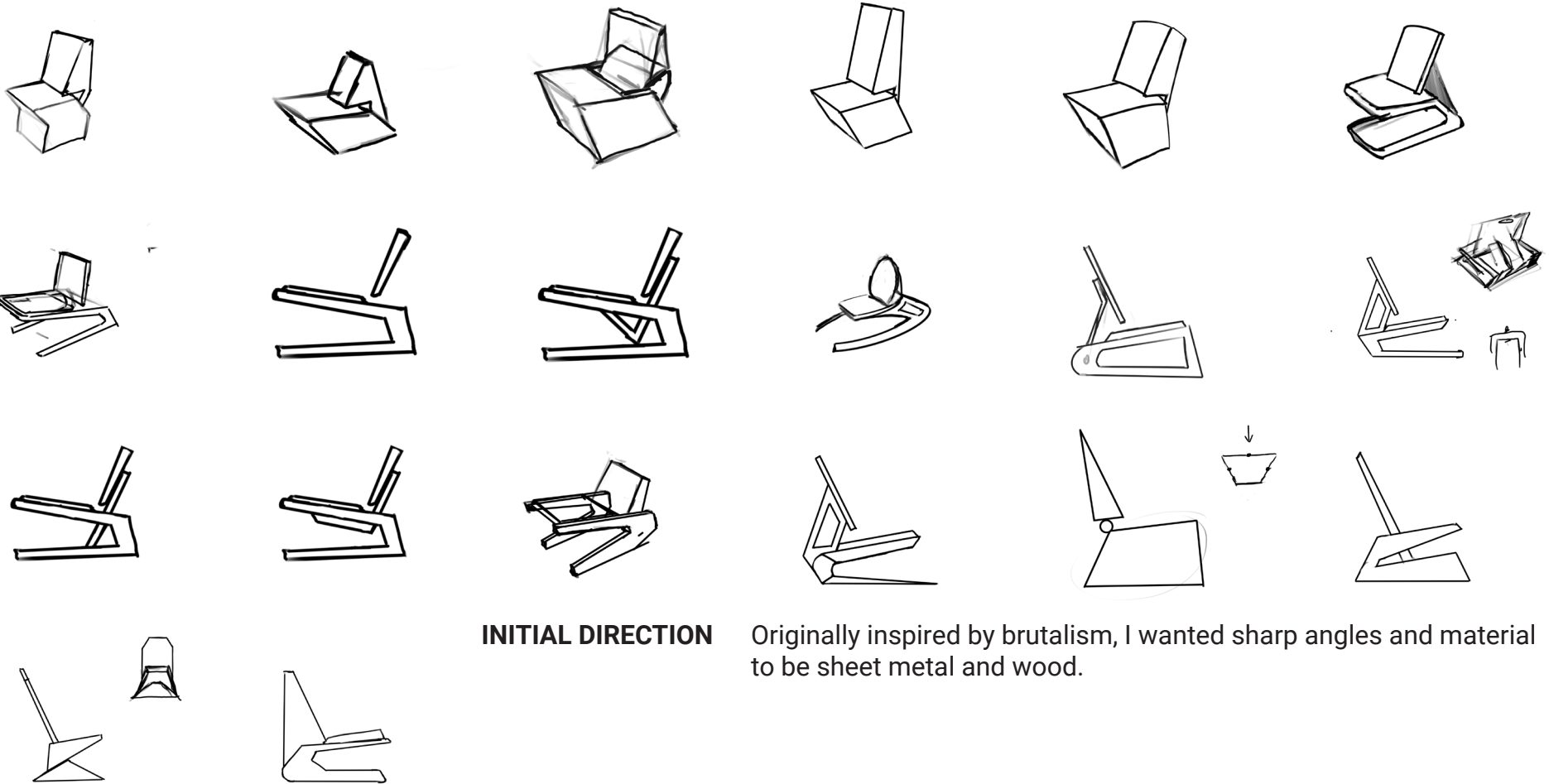
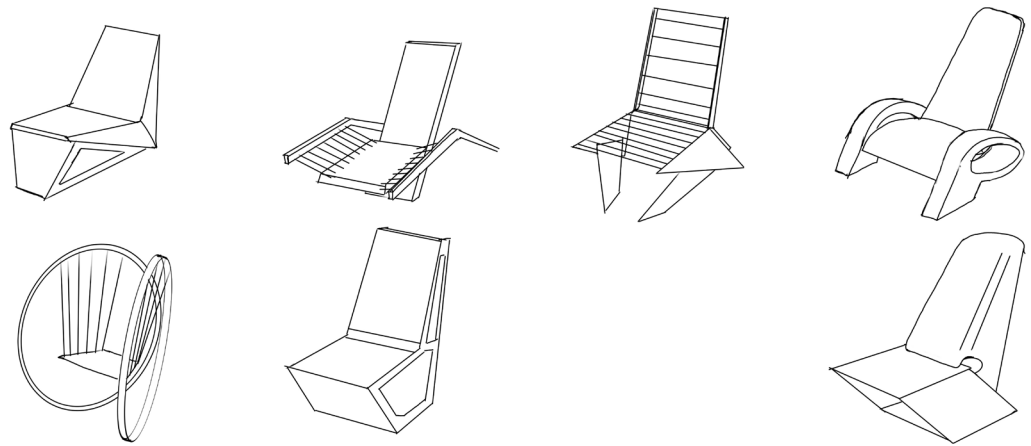
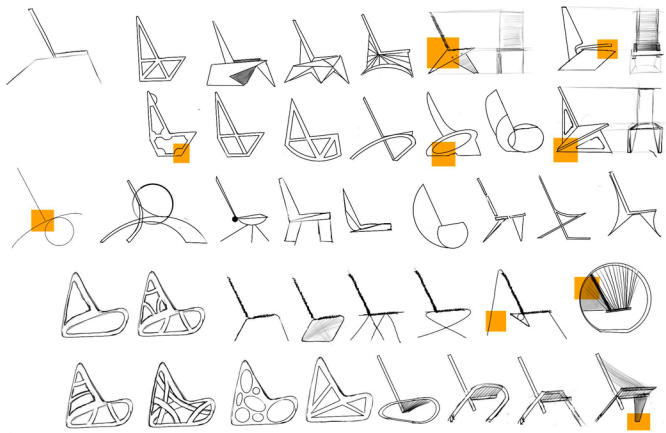
Lounging

Hand weaved

Elastic/soft material for seat

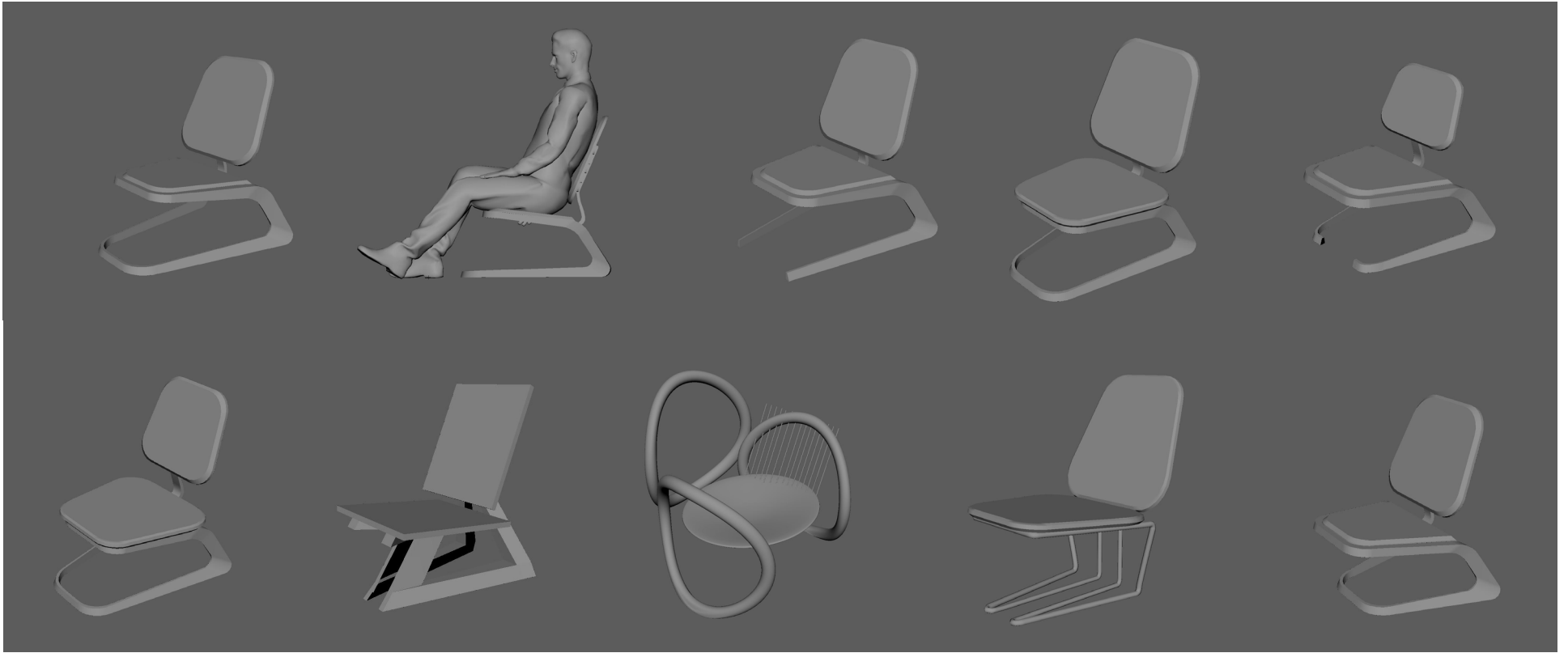
Outdoor seating



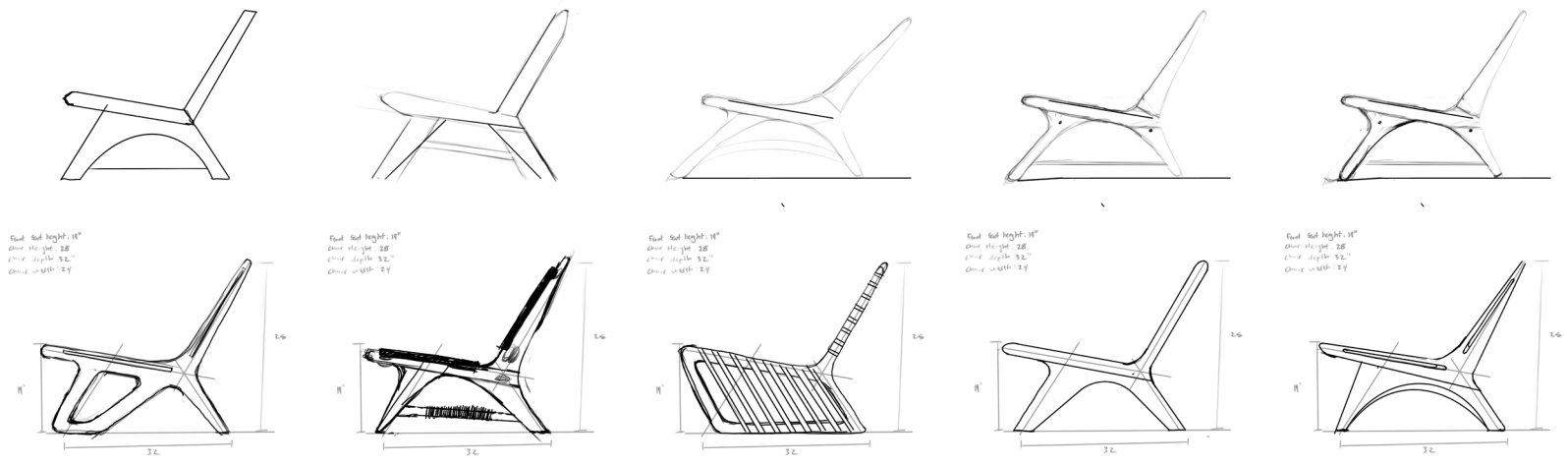


INITIAL DIRECTION

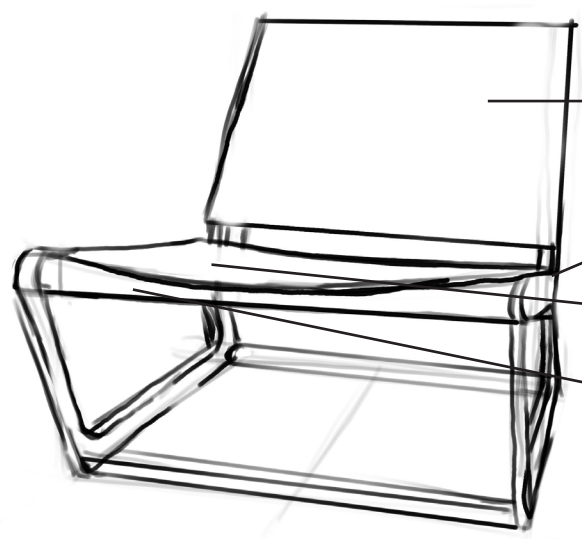
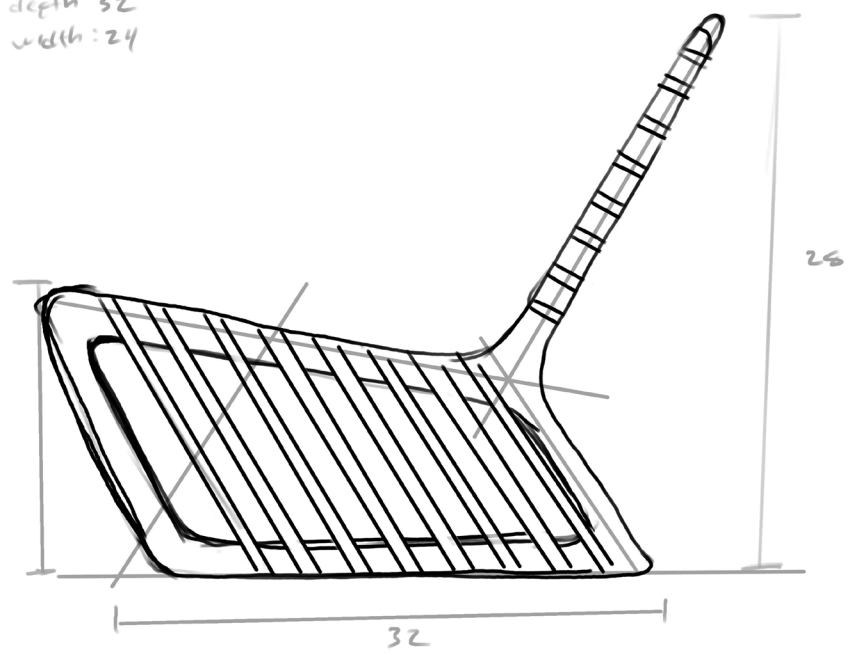
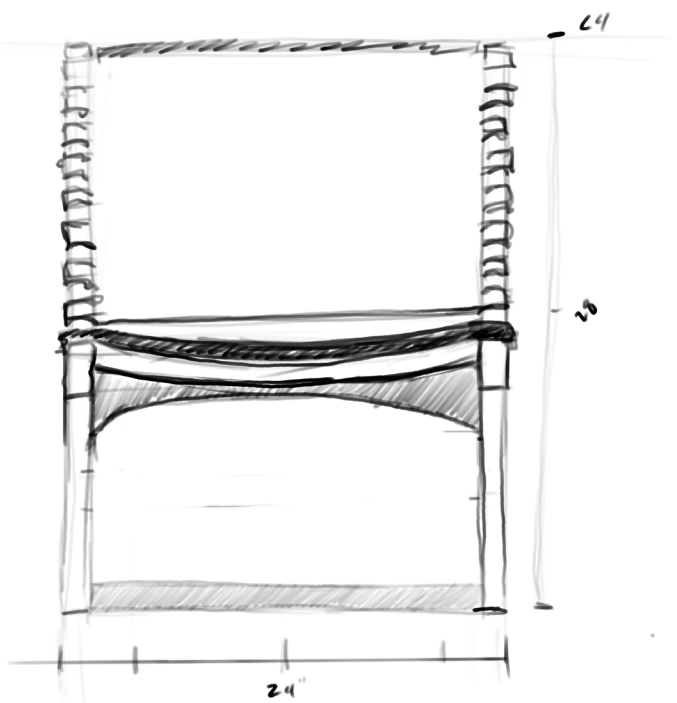
Originally inspired by brutalism, I wanted sharp angles and material to be sheet metal and wood.



PIVOTED TO NEW CONCEPT



Front seat height: 19"
Chair Height: 28"
Chair depth: 32"
Chair width: 24"



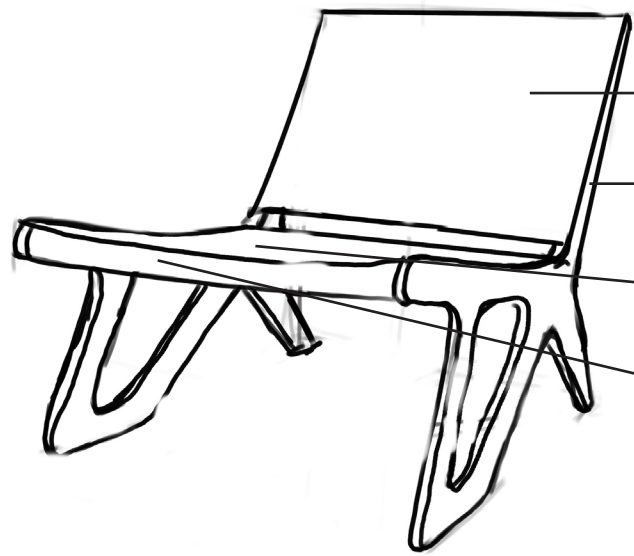
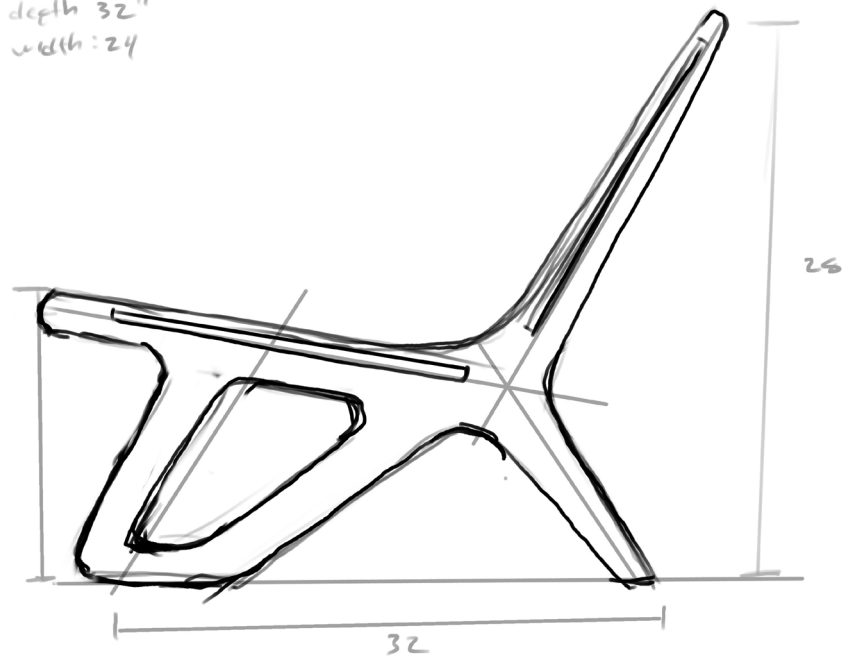
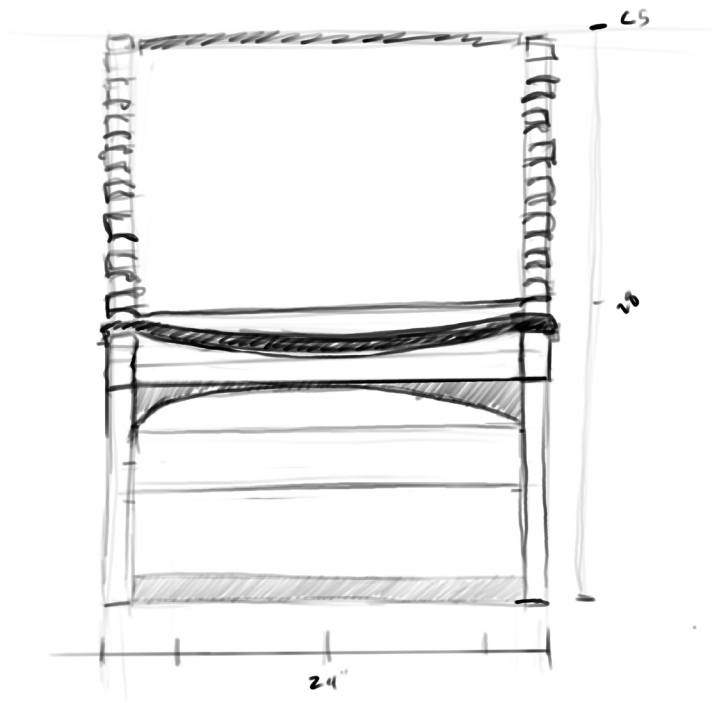
- Weaved Rattan or Nylon Band
- Frame is made from Sapele Wood
- Weaved Rattan or Nylon Band
- Cross bars made from Sapele Wood

CONCEPT_01



CONCEPT_01

Front seat height: 19"
Chair Height: 28"
Chair depth: 32"
Chair width: 24"



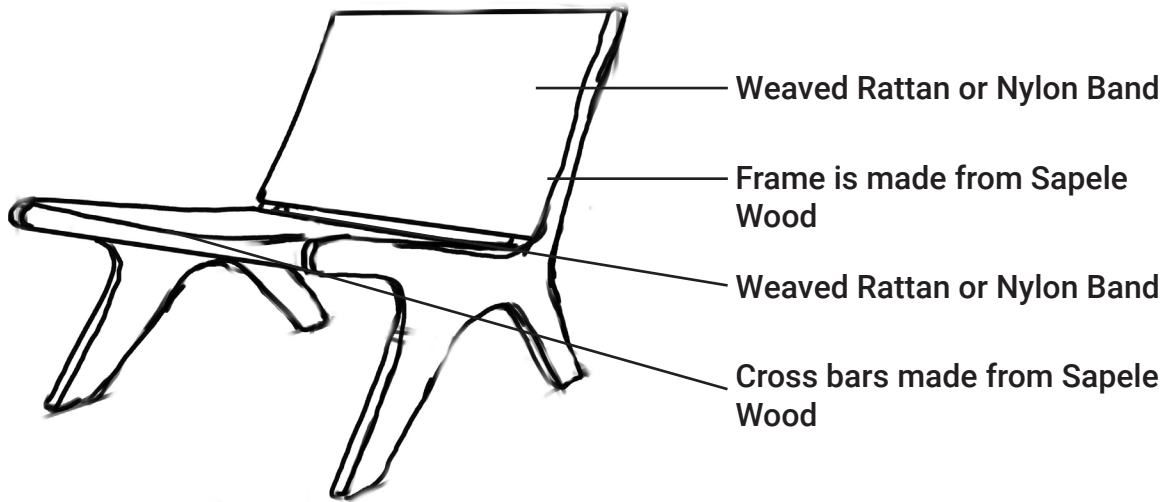
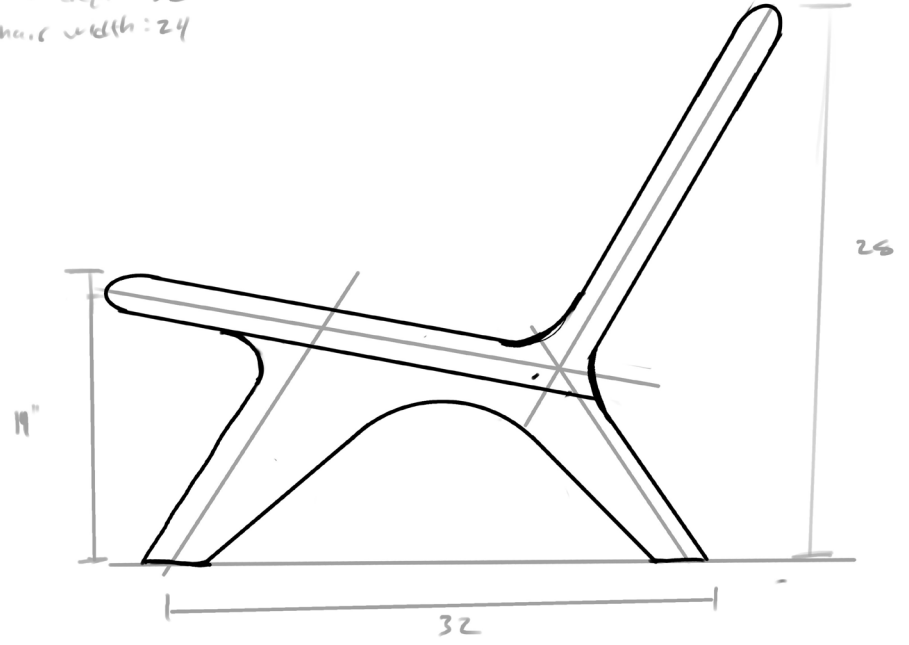
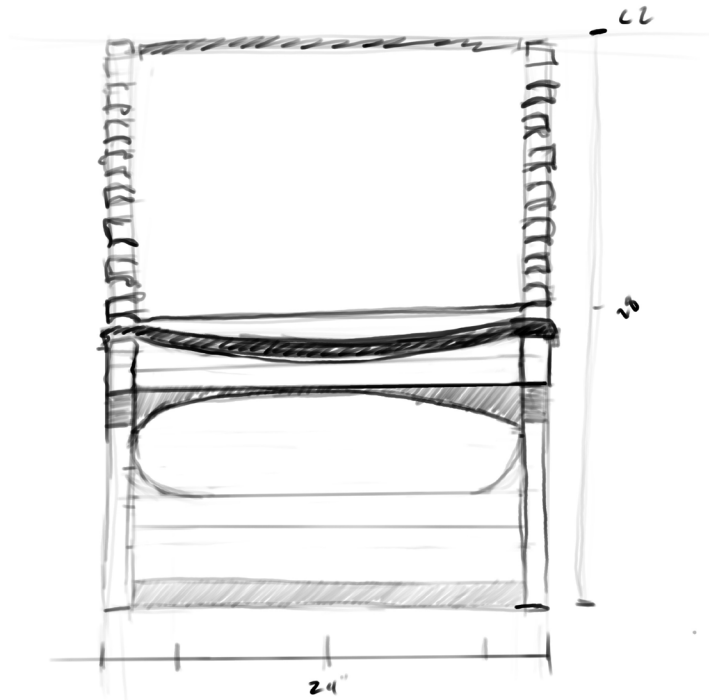
- Weaved Rattan or Nylon Band
- Frame is made from Sapele Wood
- Weaved Rattan or Nylon Band
- Cross bars made from Sapele Wood

CONCEPT_02



CONCEPT_02

Front seat height: 19"
Chair Height: 28"
Chair depth: 32"
Chair width: 24"

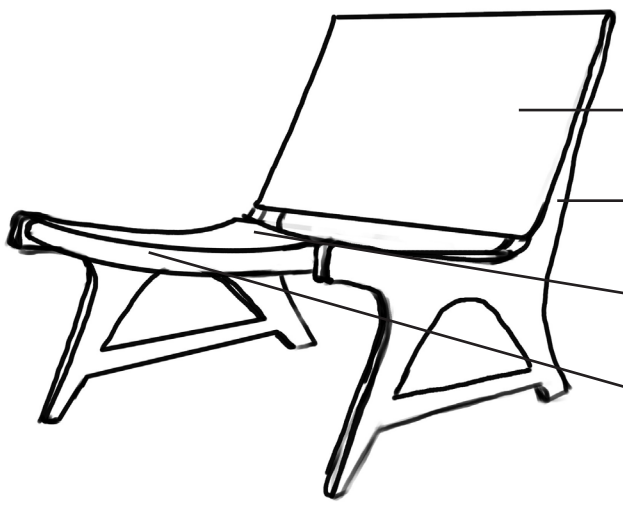
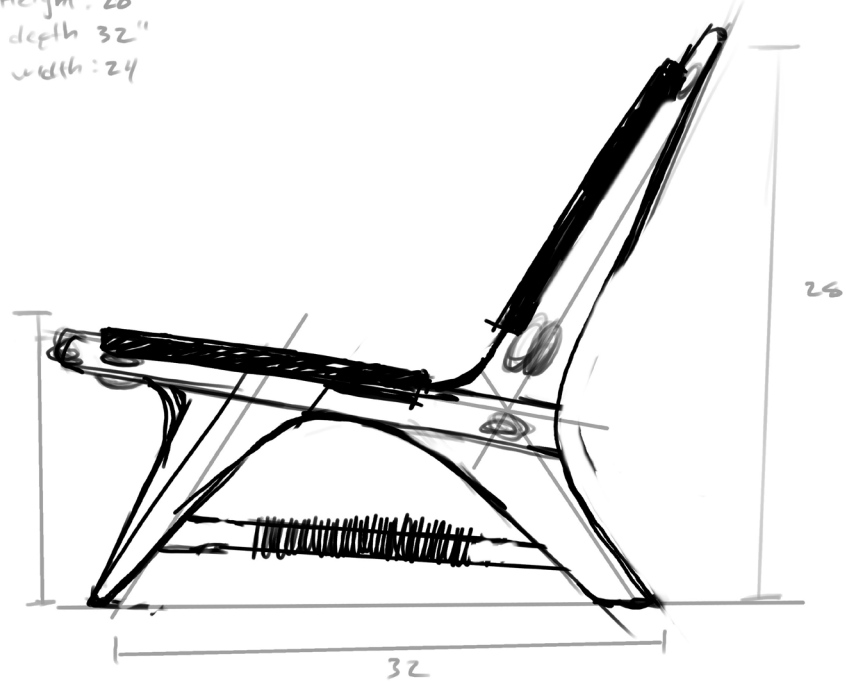
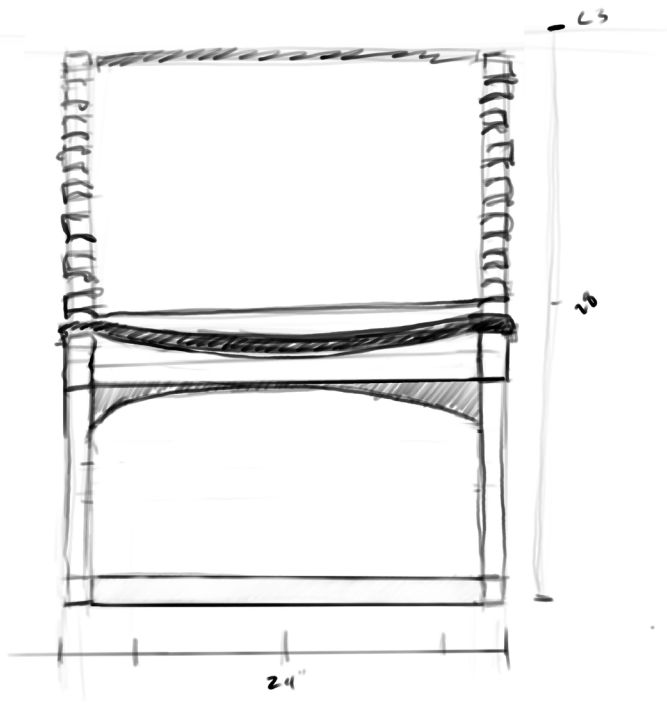


CONCEPT_03



CONCEPT_03

Front seat height: 19"
Chair Height: 28"
Chair depth: 32"
Chair width: 24"



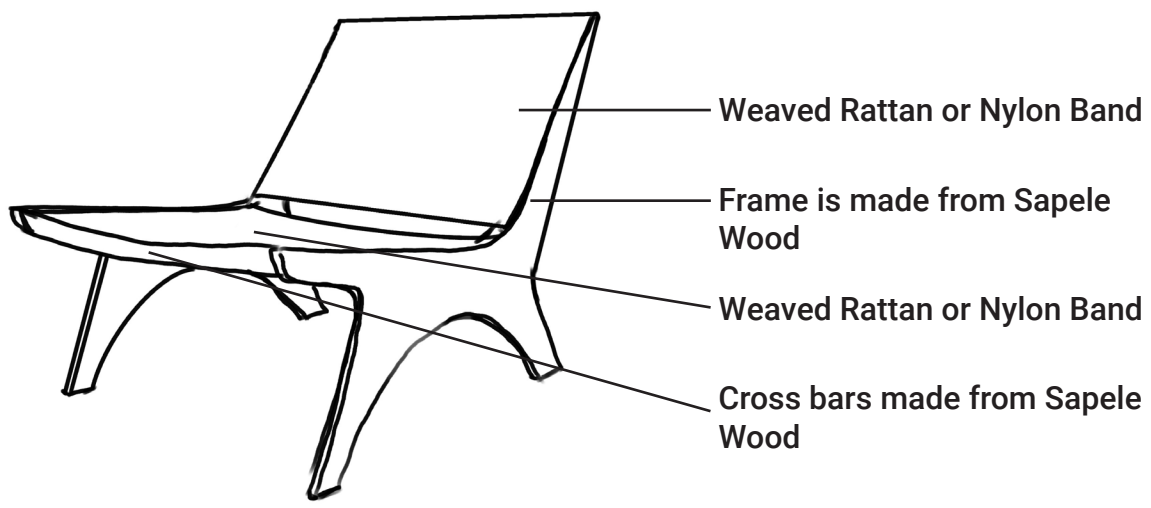
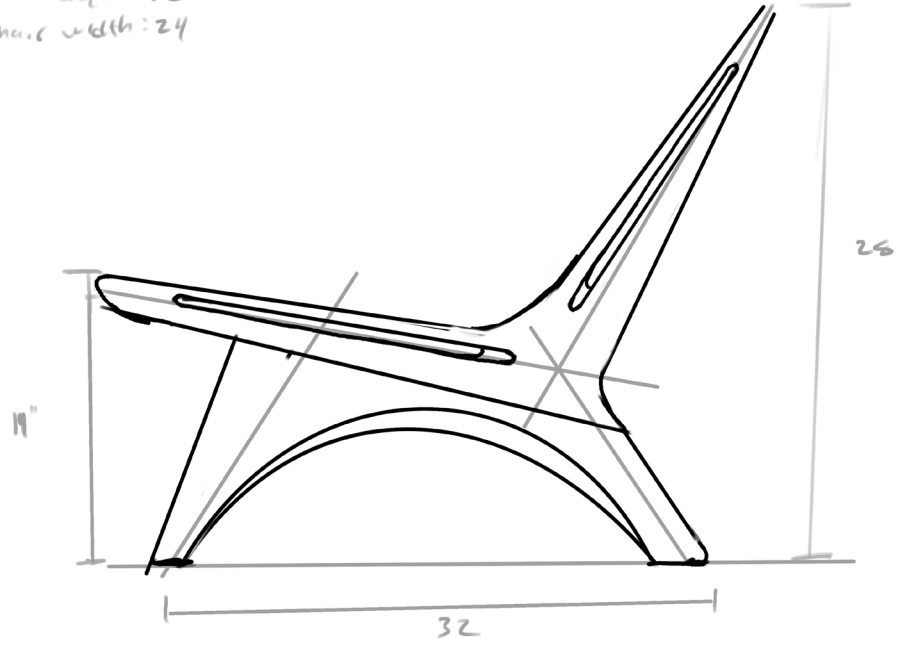
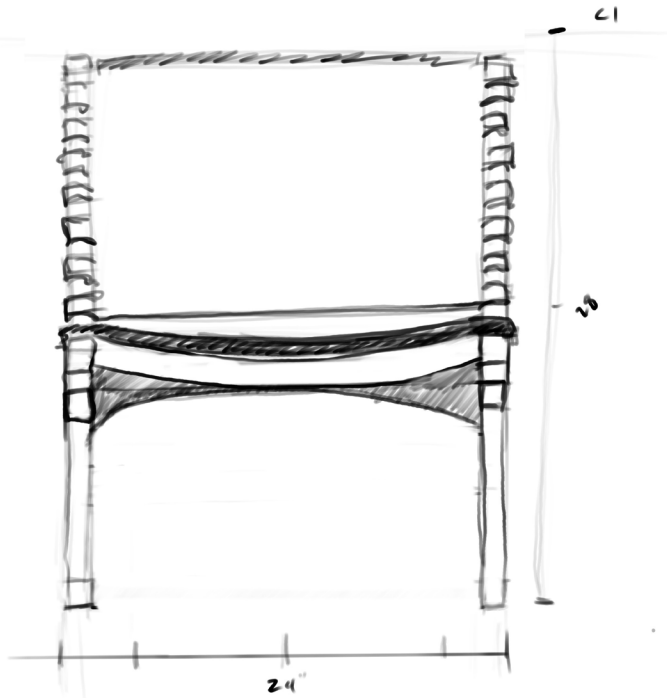
- Weaved Rattan or Nylon Band
- Frame is made from Sapele Wood
- Weaved Rattan or Nylon Band
- Cross bars made from Sapele Wood

CONCEPT_04



CONCEPT_04

Front seat height: 19"
Chair Height: 28"
Chair depth: 32"
Chair width: 24"



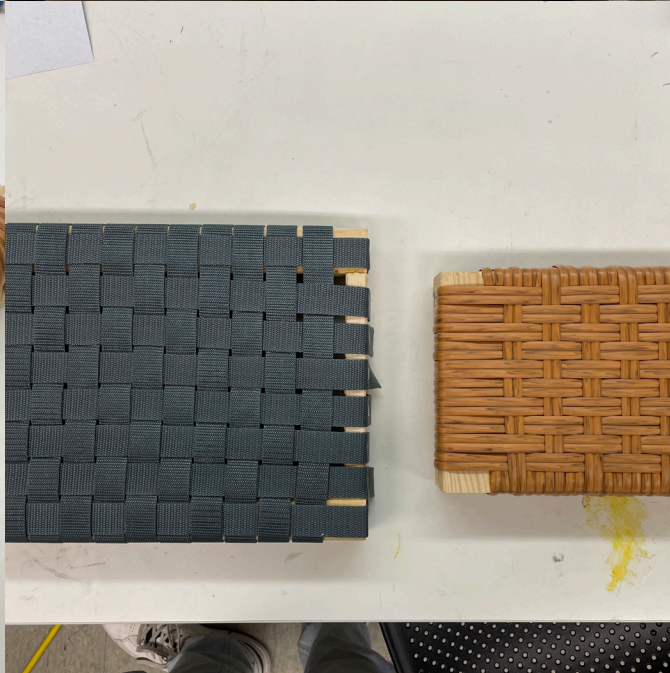
CONCEPT_05



CONCEPT_05



Weaving Studies



Weaving Studies



Initial 3D Mockup of Full Scale



Full Scale



3D Modeling Refining Form



Photo taken by Tripp Edwards



Photo taken by Tripp Edwards



Photo taken by John



Photo taken by John

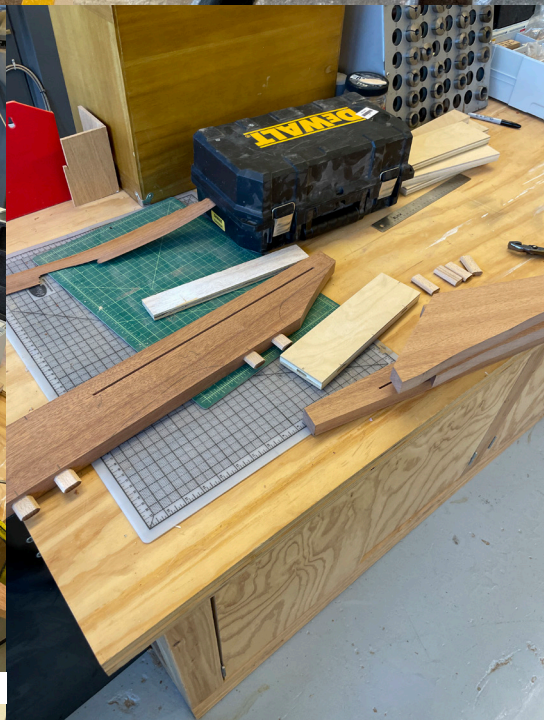




Photo taken by Iretomide Olayeye





Photo taken by Iretomide Olayeye





Photo taken by Emely Castro

Photo taken by Emely Castro





Design Statement

Sapele Serenade is a hand-crafted lounge chair that combines ergonomic design and artisanal craftsmanship to create a luxurious and comfortable seating experience. Made from Sapele hardwood and hand-woven materials, this chair is perfect for relaxation, whether used indoors or outdoors.







